

User Manual

COLOR VIDEO DOOR PHONE
CDV-70A, 70AM, 70AD, 70AMD



- Thank you for purchasing COMMAX products.
- Please carefully read this User's Guide (in particular, precautions for safety) before using a product and follow instructions to use a product exactly.
- The company is not responsible for any safety accidents caused by abnormal operation of the product.



Table of Contents

| | |
|---------------------------------------|----|
| 1. Product Overview..... | 4 |
| 2. Operation Methods | 5 |
| 3. Save visitor's image & setup | 7 |
| 4. Installation and wiring | 10 |
| 5. Components..... | 11 |
| 6. Specification | 12 |

Note :The function of "Save visitor" image & setup"(page 7) is available for CDV- 70AM/CDV- 70AMD only.
CDV-70A/CDV-70AD doesn't feature to save visitor's image.



Warnings and caution

⦿ Make sure to follow the instructions to prevent any danger or property losses.



Warning

Death or serious injury is expected.



It indicates prohibition.



It indicates prohibition of disassembly.



It indicates prohibition of contact.



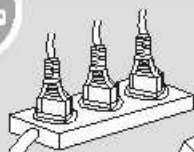
It indicates dos and don'ts.



It indicates that the plug should be pulled out from the socket.



Warning



Prohibition

Do not put the plug in the socket simultaneously.

It may generate abnormal heat or cause a fire.



Prohibition

Do not connect to other products while in use.

It may cause breakdown.



Prohibition

Do not forcibly bend the cord or put a heavy object on the product.

It may cause a fire.



Prohibition

Do not use water, thinner or a detergent used to wash oil products when you wash the exterior.

Make sure to wash it by using a dry cloth to prevent any breakdown or electric shock.



Prohibition

Do not install the product in a humid place.

It may cause an electric shock or a fire.



Prohibition

Do not forcibly pull out the cord from the socket.

If the cord is damaged, it may cause a fire or an electric shock.



No contact

Do not put the plug in the socket with a wet hand.

It may cause an electric shock.



No disassembly

Do not disassemble, repair or modify the product.

It may cause a fire, an electric shock or an injury due to malfunction of the product.



Do not use AC circuit breaker.

It may cause an electric shock.



Warnings and caution



Caution An injury or property losses are expected



It indicates prohibition.



It indicates prohibition of disassembly.



It indicates prohibition of contact.



It indicates dos and don'ts.



It indicates that the plug should be pulled out from the socket.



Caution

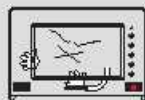


If the socket holes are larger than normal, do not put the plug.

It may cause an electric shock or a fire.



Make sure that dust or foreign substances are not gathered on the product.



Make sure to prevent foreign substances from entering the product.

It may cause a breakdown.



Do not put a heavy object on the product.

It may cause a breakdown.



Do not disassemble or give an impact to the product.



Avoid direct rays of the sun or heating devices at a time of installation.



Install the product in a flat and stable place.

Otherwise, it may not function properly.



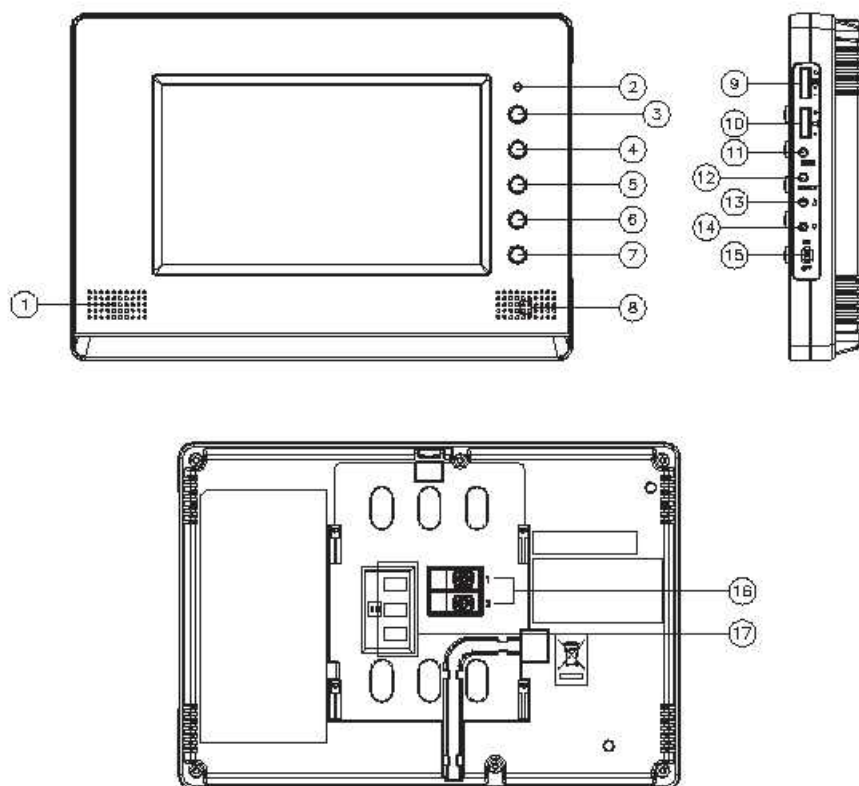
Secure the enough space and view to unplug the power plug easily in an expected emergency situation.



If the product generates strange sound, make sure to pull the plug immediately and contact Commax service center.



1. Product overview



| No. | Description | No. | Description | No. | Description |
|-----|--|-----|----------------------------------|-----|--|
| 1 | Speaker | 7 | Door Release button | 13 | Screen resolution Button |
| 2 | On/Off & display LED | 8 | MIC | 14 | Screen resolution Button |
| 3 | Monitoring button(Record images) | 9 | Volume control button | 15 | On/Off switch |
| 4 | Interphone button | 10 | Callingsoundlevel control button | 16 | DC power terminal |
| 5 | Talk button | 11 | Screen resolution Button | 17 | -Terminal for connecting camera and interphone |
| 6 | Priority button(PTT) or Menu for Recording | 12 | Screen resolution Button | | -DIP switch for camera setting |

* DC Power terminal(Non polarity) : 17-30V = (only CDV-70AD/CDV-70AMD)




- * Volume control button: It is to adjust talking volume from counter side.
- * Calling sound level control button: It is to adjust calling sound
- * Screen resolution Button: It is to adjust image resolution.
- * DIP switch for camera setting: It is to set up the availability of door camera.
Please place it "up" position while door camera is in use.
Note : camera 1, 2 is set to use from manufacturer as default.





2. Operation Methods

How to operate


● Receiving a calling from visitor


1. When the call button is pressed by a visitor on the door camera, the melody shall be rung and visitors' image is shown on the screen.
2. Press "talk" button() to talk with a visitor.
(Maximum 60 seconds is available to talk on the phone.)
3. Press "talk" button() again to close and return standby mode after finish the talk.
4. Press "door release" button () to open the door while on the conversation.

● Communication with a interphone

1. Press "Interphone" button () to make a conversation with the interphone connected with monitor. (DP-4VHP)
(It is available to talk on the phone for Maximum 60 seconds)
2. When receiving a call from an interphone, electrical sound shall be rung.
Press "talk" button () to start to talk.
3. When you receive a call from camera while taking with interphone, Visitor's image should be showed on the monitor.
It shall be possible to talk between each unit, monitor, interphone and camera.
Note : When you finish talking with visitor or interphone, press "talk" button again to close the talk mode.

● Monitoring.

1. When you press monitor button (), outside image is showed for 30 seconds.
2. It can be connected up to 2 cameras and shows you the outside image from camera1 or camera2 in order by pressing " monitoring" button.

- Priority talk – PTT () When there is impeding noise that disturbs conversation from the door camera, pressing and holding the "PTT" button will deliver only the voice of the speaker from the CDV-70A,70AM / CDV-70AD,70AMD to the door camera unit to help clarify speech.
- Adjustment of image resolution

To adjust brightness or color resolution, use the buttons on the right side.

- ① Press "MENU" button to enter "control menu " in taking with a door camera unit or monitoring status and then push the "SELECT" button.
- ② Scroll the proper menu you want to change by using "UP/DOWN" button.
And then push "select" button to enter into "changing mode".
- ③ Press " UP/DOWN" button to change into proper level



- ④ Press "SELECT" button to save the new one and it return "basic menu" automatically. Adjust each menu as per same way.
- To adjust the ratio of monitor image size, select the "Disp. Ratio" menu and press "SELECT" button.

Press the "UP/DOWN" button to change the ratio of monitor image size.

Setting the Zoom mode allows you to view the object much closer in its original proportion



"menu" button shall be pressed to return standby mode from "basic menu" after setting proper level .

- Note :** "MENU" Button – Enter or Close adjustment mode
"SELECT" button – Select sub - menu or move previous menu
"UP/DOWN" button – Scroll the menu or change the value

In case if Display Ratio menu of CDV-70AM and CDV-70AMD is set for Zoom Mode, and recording time information may not be reflected correctly. In this case, please, change settings to 'Wide Mode' or 3:4 mode.



3. Recording visitors' image and setup.

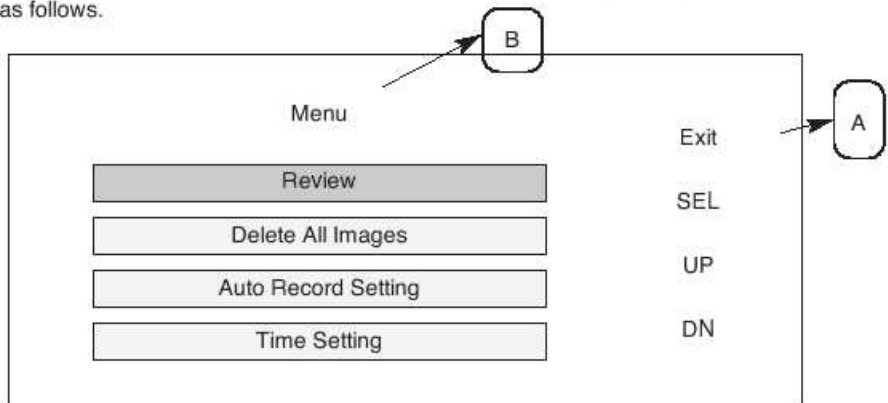
NOTE : Following function of "Recording visitors' image & setup" is available for CDV- 70AM / CDV-70AMD only. For CDV-70A / CDV-70AD it is not available one.

3-1. Recording visitors' image

Press and hold the "monitoring" button (REC) for 1 second under "talk" or "monitor" mode to save a cut of image with electric sound.

3-2 . Review recorded images and its setup

Press and hold the "PTT" button for 2 seconds under stand-by mode, the menu is shown as follows.



Main menu

This above picture is main menu, it shall be able to set up each subject.
Description of the above pictures.

A parts : Operation button

B Part : Sub Menu

Note : EXIT – Escape UP/DN – Up & down SEL – Select

3-2-1 Review recorded images and its setting.

Press "review" button to see recorded images .

Operation button is same as right side as following picture.



Review

PDF Compressor Free Version

In case of that there is no image recorded, "No Image" appears on the screen.

Area "A" on above-picture, there are operation button.

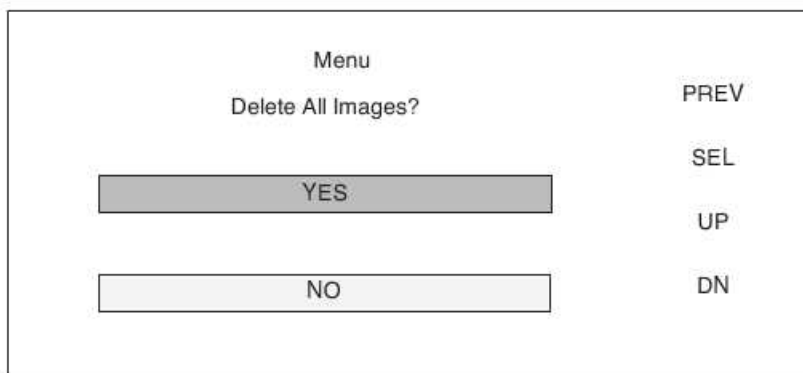
Press "Del" button to remove the image displayed.

Note : PREV – Previous menu UP/DN - Move the cursor up and down DEL - Remove the image.

* When you press and hold "UP or DOWN" button for 1 second, move 10 cuts.

3-2-2 Delete All Image

Select "Delete all images" menu, to remove all recorded images at one time.



When you select "Yes", following message is shown.



Delete Image

Then, press "SEL/PREV" button on the right to move previous menu.

PDF Compressor Free Version

3-2-3 Auto Record Setting

Select "Auto Record Setting" menu to automatically save visitors' images while you are away.

| | | |
|----------------------------------|--|------|
| Menu | | |
| Auto Record Setting | | PREV |
| | | SEL |
| <input type="text" value="YES"/> | | UP |
| <input type="text" value="NO"/> | | DN |

Auto record setting

Note : It shall be set as a "Auto Record" mode from manufacturer.

When the visitors call, every visitor automatically is recorded 1 by 1.

Maximum 128 cuts can be saved.

In case 129th cuts is recorded after 128th cuts, it should be replaced from existing 1st cuts (1/128) again.

3-2-4 Time Setting

Select "Time setting" menu to set the time and date.

| | | |
|--------|-----------------------------------|------|
| Year | <input type="text" value="2000"/> | PREV |
| Month | <input type="text" value="01"/> | SEL |
| Day | <input type="text" value="03"/> | UP |
| Hour | <input type="text" value="12"/> | DN |
| Minute | <input type="text" value="23"/> | |

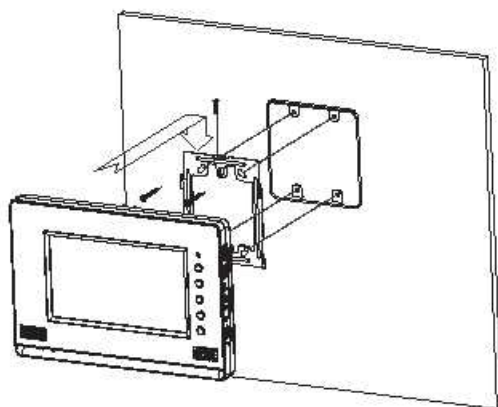
Time Setting

- 1) When you enter "time setting" mode, year ("2000") shall be flickered.
- 2) Press "SEL" button to active and it turn in red and change current year by using "UP/DN" button.
- 3) When you press "SEL" button again, updated data shall be saved and turn inactive mode in black. Then, move to next menu using UP/DN button.



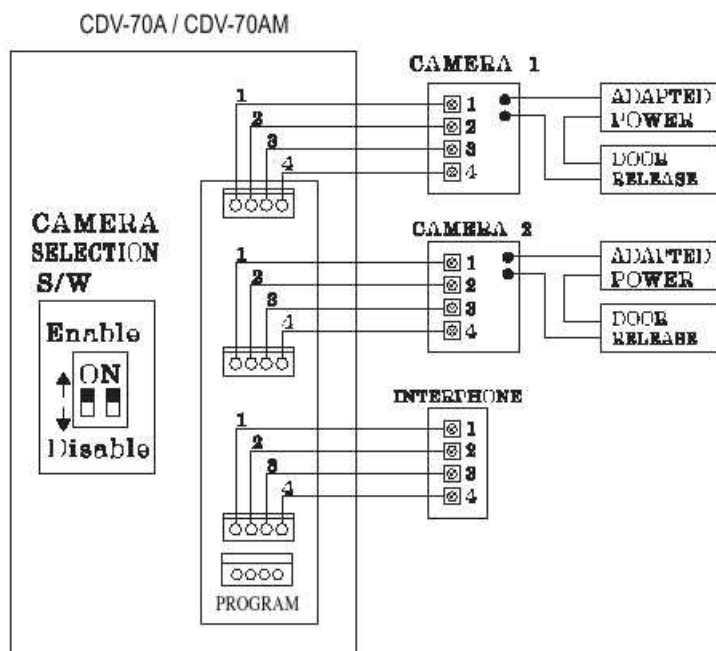
4. Installation & wiring method.

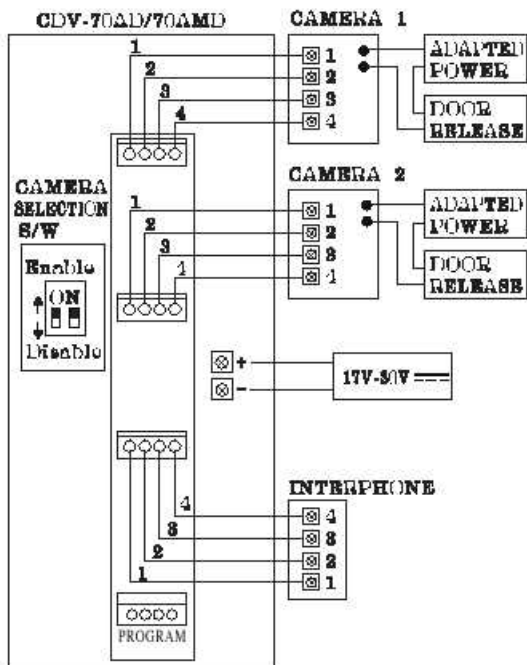
1) Installation diagram



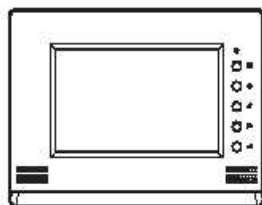
- Terminal wiring in rear

2) Wiring diagram





5. Components



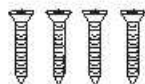
Monitor



Wall bracket



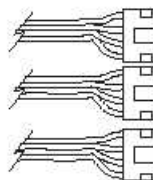
Manual



T4 X 18
Wall bracket
Mounting Screw



M3 X 6
Monitor
Fixing Screw



Connector
(4PX3 EA)



Power supply(17V 1.3A)
(Only CDV-70AD / CDV-70AMD)



6. Specification

| Spec. / Model | CDV-70A/70AM |
|----------------------------|---|
| Wiring | CAMERA : 4 wires, INTERPHONE : 4 wires |
| Power source | 100-240V~, 50/60Hz (FREE VOLTAGE) |
| Power consumption | MAX : 15W, Stand-by : 4W |
| Image recording (CDV-70AM) | MAX 128 Cuts |
| Communication way | HANDS FREE type (Voice Switch) |
| Display | 17.78Cm(7") COLOR TFT-LCD |
| Call sound | COMMAX chime : 2 times Interphone : Electric chime |
| Video duration time | Stand-by : 30 seconds, On the line : 60 seconds |
| Distance | Entrance: 50m (∅ 0.65) Interphone: 20m (∅ 0.65) |

| Spec. / Model | CDV-70AD/70AMD |
|----------------------------|---|
| Wiring | CAMERA : 4 wires, INTERPHONE : 4 wires |
| Power source | 17~30V , 1A |
| Power consumption | MAX : 14.2W, Stand-by:4W |
| Image recording (CDV-70AM) | MAX 128 Cuts |
| Communication way | HANDS FREE type (Voice Switch) |
| Display | 17.78Cm(7") COLOR TFT-LCD |
| Call sound | COMMAX chime : 2 times Interphone : Electric chime |
| Video duration time | Stand-by :30 seconds, On the line : 60 seconds |
| Distance | Entrance: 50m (∅ 0.65) Interphone: 20m (∅ 0.65) |

COMMAX

COMMAX Co.,Ltd.

513-11, Sangdaewon-dong, Jungwon-gu, Seongnam-si, Gyeonggi-do, Korea

Int'l Business Dept. Tel. : +82-31-7393-540~550 Fax. : +82-31-745-2133

Web site : www.commax.com

PM0770A00011

Printed In Korea / 2013.11.104